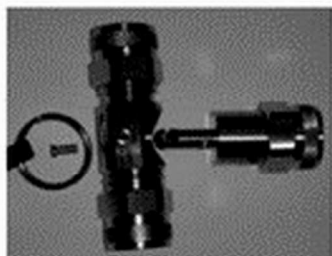


N Male Open/Short/Load Precision 42 dB CAL KIT**Features**

- 42 dB Return Loss for high resolution
- Impedance and length matched
- Open, short & high quality load in one
- RLT (Replaceable Load Technology)

The NMOSPL-11 provides high performance 42dB return loss performance for the most accurate single ended measurements. The return loss below 4 GHz is exceptionally good. This OSL is popular with Sitemaster, Field-fox, SiteHawk and other antenna and cable analyzers. This is usable above 11GHz for network analyzer use. Designed and made in the USA.



The load can easily be replaced. Replaceable Load Technology allows simple replacement of the 50Ω load, which lowers the cost of maintaining your cal kits. Just order the NMPL and use a 5/64" (2mm) hex key. A ridge identifies the short end, while a wide groove provides tactile indication of the open end; can be used under poor lighting conditions.

Electrical Specifications:

Impedance: 50 Ohms

Frequency: 11GHz (usable to 18 GHz)

Effective Length: 26.5mm (88.3ps) (O/S)

Load Power Rating: 2W (33dBm)

Coefficients for open:

Calibration Coefficients	Co	C1	C2	C3	Delay	Loss
	167.8	-62.0	4.6	-0.032	63.9ps	2.2

Mechanical Specifications:

Weight: 5oz (140g) typical

Packaging: Plastic box

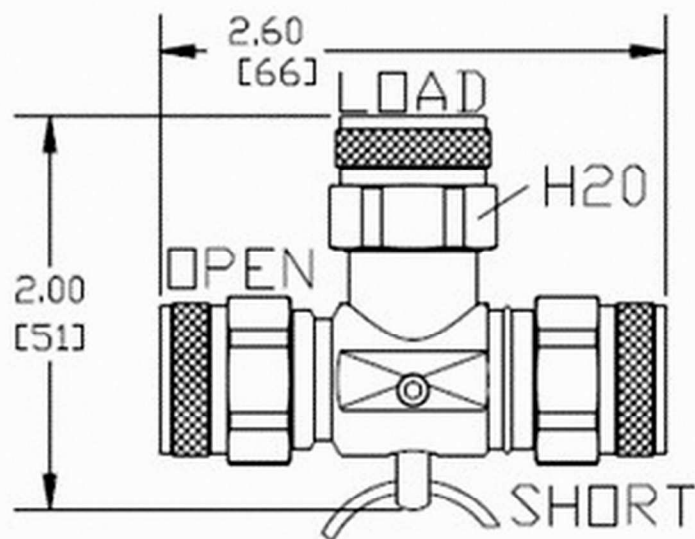
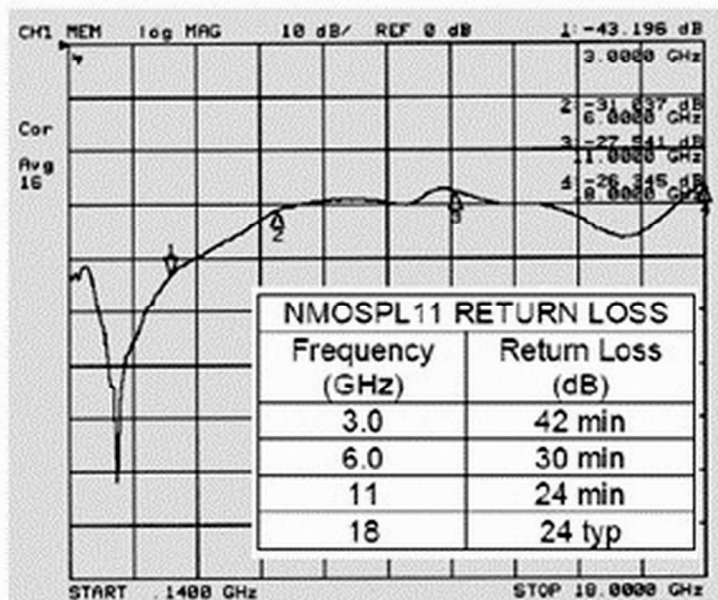
Accessories: Detachable lanyard

Torque: 10 in-lbs (1.1N-m)

No gasket for easy connection

Brass w/ Gold finish pins

Cycle Life: 500 minimum



Information supplied provided on a best efforts basis. Not responsible for errors or omissions. Subject to change without notice. Please test these parts for suitability to meet your application needs. Refer to our limited warranty.